

AX S/ULIGHT/HOOP/120/ANT

U-Light Hoop Pendant

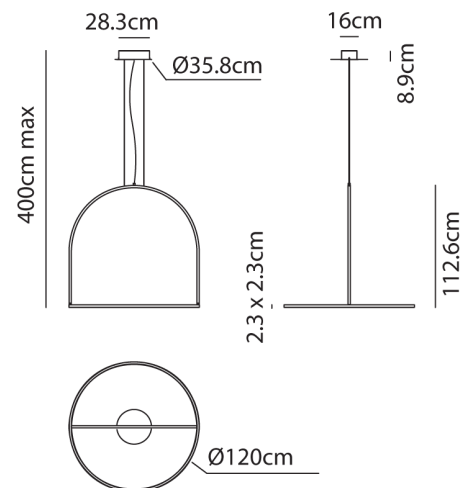
by Timo Ripatti

The U-Light collection by Timo Ripatti is composed of minimalist and lightweight circular aluminum elements which create a strong presence within a space. Contemporary in design and functionality, all models of the U-Light are equipped with cutting-edge dimmable LED technology. The simple geometric aesthetic of the U-Light is perfectly suited to modern interiors as accent lighting in smaller spaces or feature applications in large commercial projects. The U-Light hoop pendant is available in 90cm to 160cm diameter sizes in anthracite grey or rust brown finish. A sound absorbing version is also available upon request.



Designer	Timo Ripatti
Supplier	Axo Light
Country	Italy
SKU	AX S/ULIGHT/HOOP/120/ANT
Size	120
Finish	Anthracite

Product Dimensions



Weight	8.2kg	Materials	Aluminium	Source	86W LED
Colour Temp	3000K	Output	7354lm	CRI	90
IP Rating	IP20	Dimming	1-10v	Notes	Sound absorbing version available on request